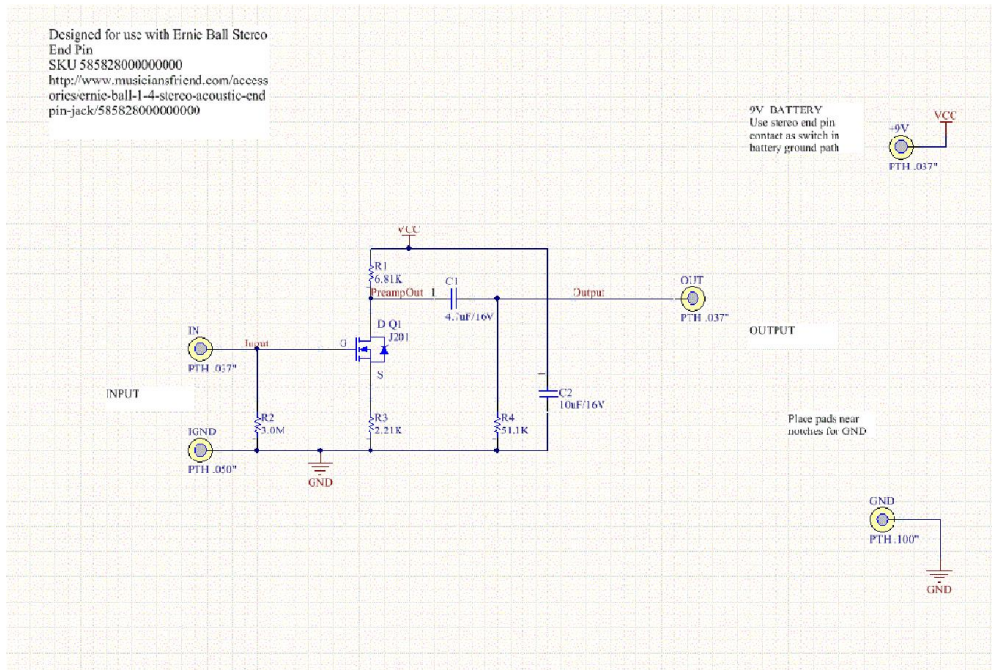


Chuck Brodeur / SDS

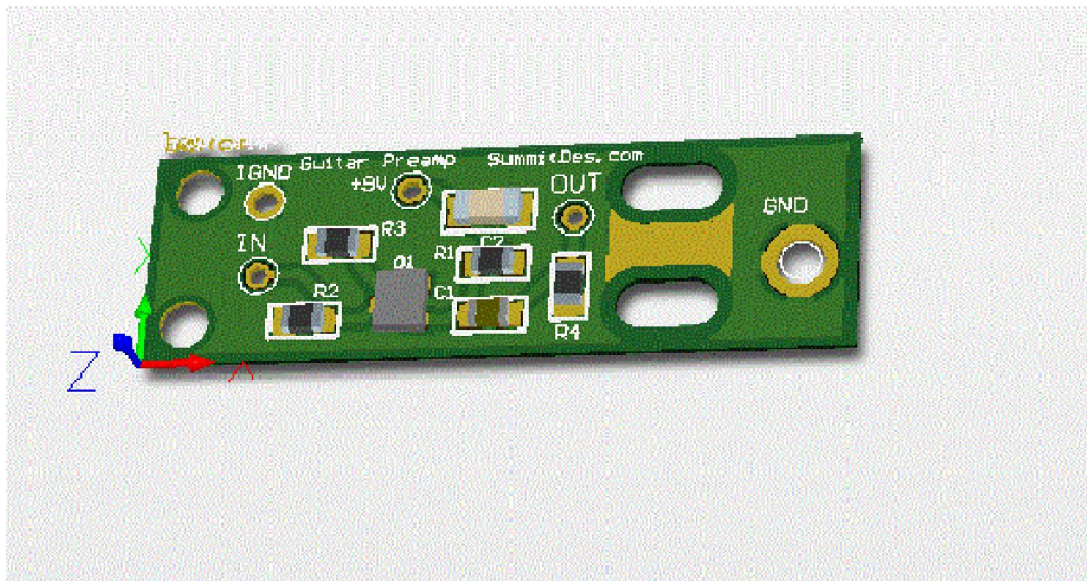
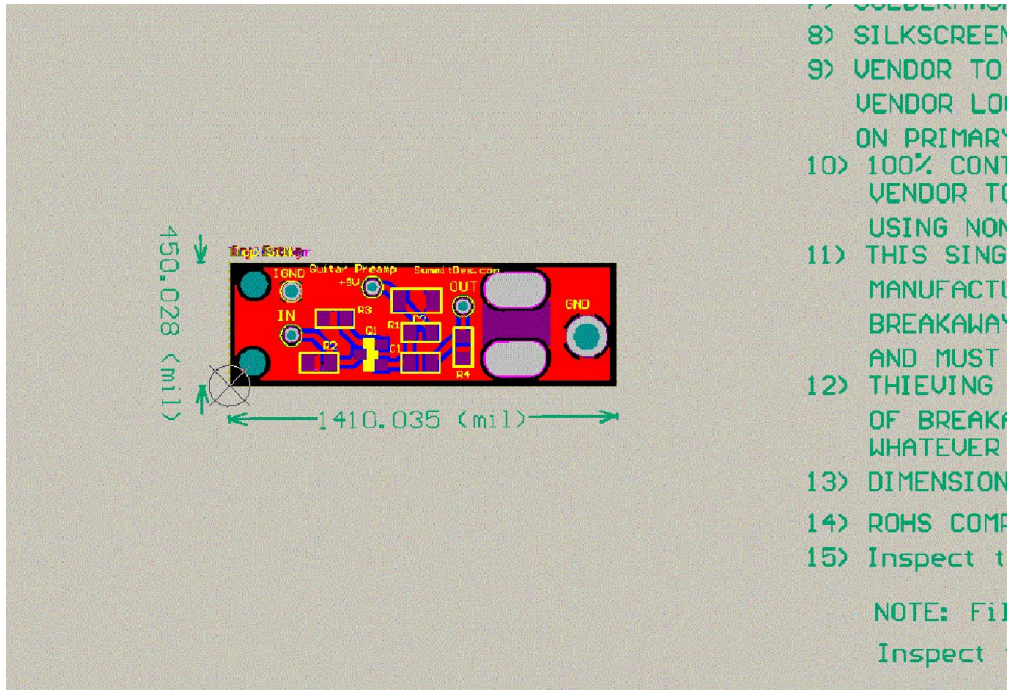
Guitar Preamp – Designed to mount to end pin jack

This is a simple PCB that I designed for myself. It is a small battery powered circuit board with a preamp for a musical instrument pickup. I designed this specifically to be mounted to an off-the-shelf stereo end-pin. Although the signal is monophonic, the stereo pin allows the battery to be disabled when an instrument cable is not plugged in to the jack.

Part of the schematic, PCB layout, and 3D rendering are shown below:



Guitar Preamp – Designed to mount to end pin jack



I only built one and did not take a picture, but it is installed in an old Gibson acoustic with a sound-hole pickup. It works great and provides the boost the weak pickup needed.

For small projects such as this, I have sources for low cost PCBs, especially 2-layer, small ones.